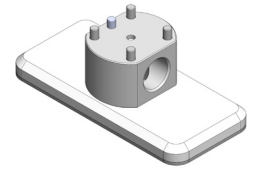


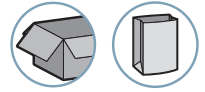
# CVGM

## Mini vacuum gripper



The COVAL CVGM series mini vacuum gripper, meets applications for gripping light and porous objects, such as protective masks, fabric or leather cut-outs. Ultra-light and compact, it allows easy integration into a robotic system. Designed in food-grade materials, it allows frequent cleaning.


Industry-specific applications



### Advantages

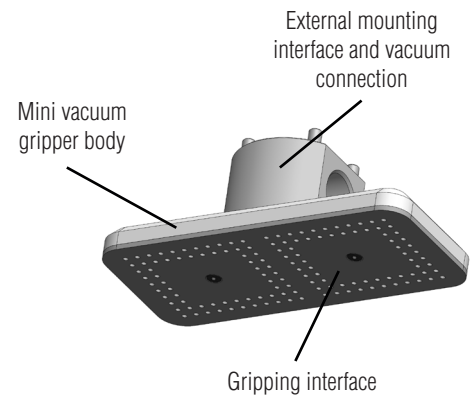
- Compact and lightweight
- Easy integration
- Ideal for robotics and cobotics applications

### Characteristics

Model	Dim. (LxI) (mm)	Vacuum connection	 (g)
CVGM130X60V10B40	130x60	G1/2"-F	300

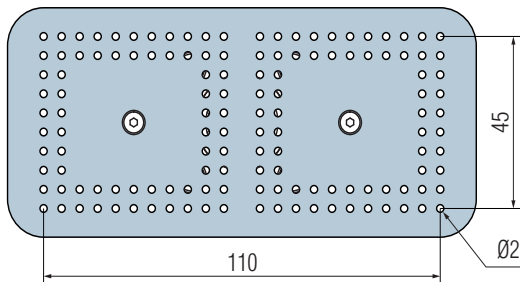
### Specifications

<b>Materials</b>	Mounting interface: anodized aluminum Gripper body: PET Gripping Interface: stainless steel
<b>Temperature</b>	From 0 to 60 °C

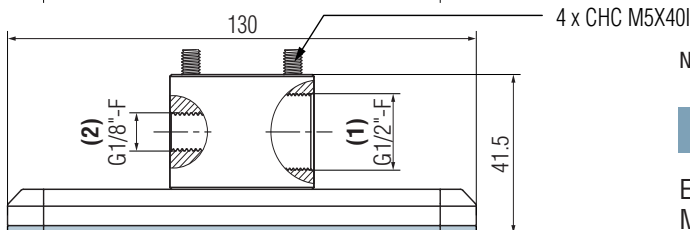


### Dimensions

CVGM



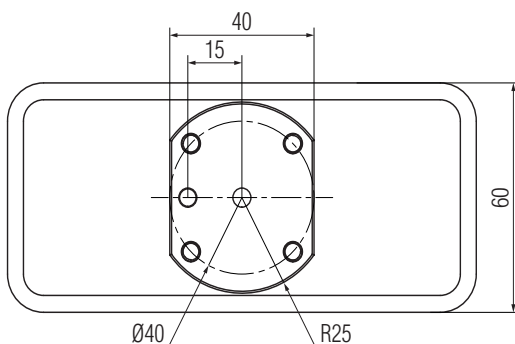
- (1) External vacuum supply
- (2) G1/8" plug (available for vacuum switch or external blow-off)



Note: 1x Ø5x12 pin supplied

### Accessories

External vacuum generator: We recommend the use of an M series air amplifier (Model M6C or M10C depending on the application)



Note: All dimensions are in mm



Please specify part n° : CVGM130X60V10B40